

e-SMART LOCK

Wireless Online
Smart Locking Solution Provider



PASSTECH

For almost 20 years since established in 2003, Passtech has been dedicated to develop and provide an innovative electronic locking systems for our customers. Launching the world 1st HF RFID locker locks in 2005 and world 1st wireless online locker lock system in 2013 and our 1st mobile access locker lock system in 2020, we are proud of leading a future advanced electronic locking system in the world.

Technology Leadership

Passtech continues to develop an innovative future locker lock solutions in design and technology including standalone locks, wireless online & cloud based mobile access locks.

Global Partnership

We are proud to work with our global partners who are brand furniture manufacturers, lock distribution channels & dealers and access solution providers. We are always opened to be your partners.

Customer service

Passtech listens to our customers' voices and provides a tailor-made customer services such as hardware & software customization services to fulfill customer requirements

Quality Commitment

We are committed to seamlessly improving the quality of products & quality processes to make more reliable products and eventually ensure customer satisfaction.

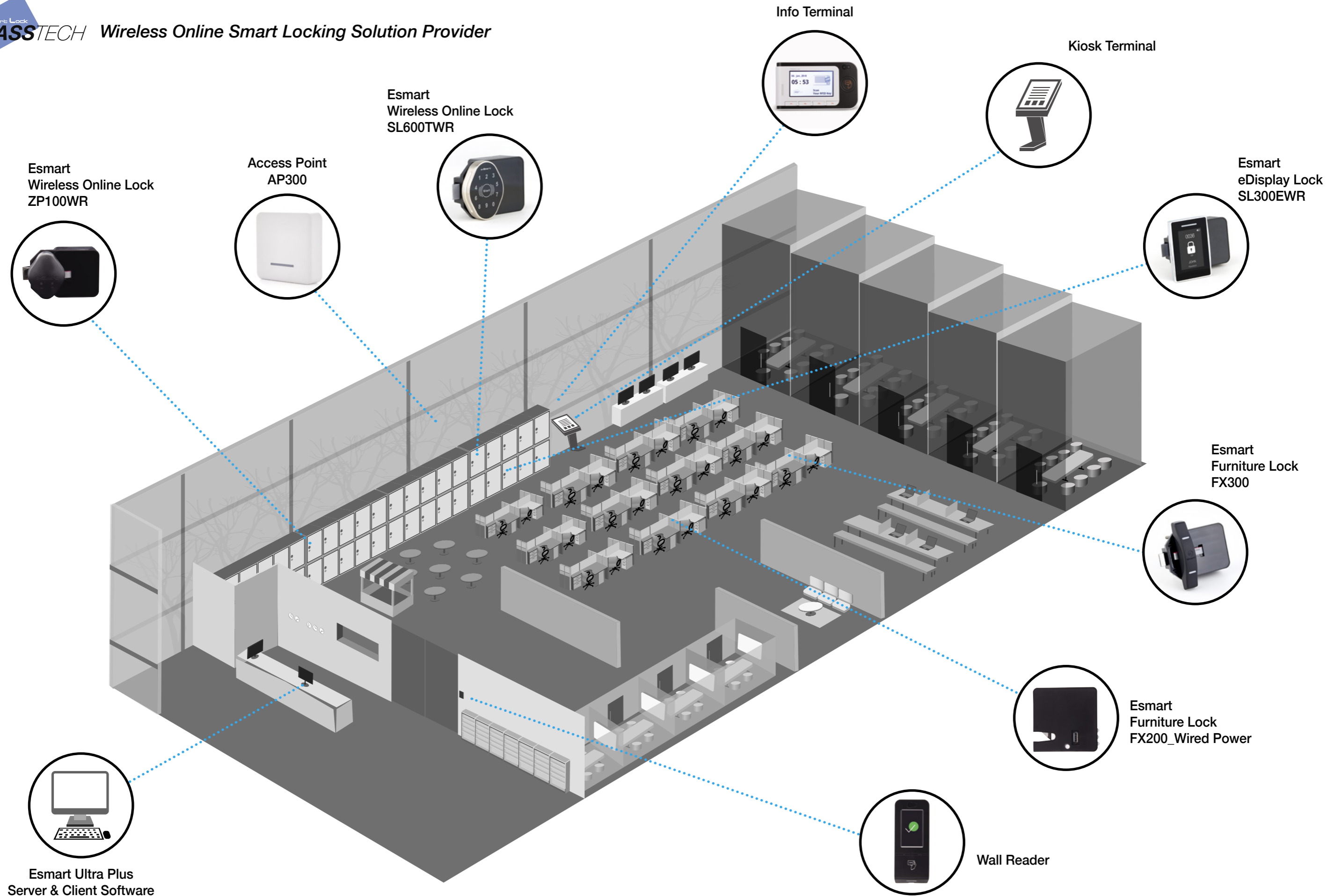
HISTORY

- 2023** Released RESTFul API for 3rd Party Integration
Launched locker locks applied with Smart Code
- 2022** Released Cloud based LMS(Lock Management Software)
Launched e-Display(e-Paper) Locker Lock
- 2021** Launched Furniture & Slim locks locks
- 2020** Released Cloud base MIS admin app
- 2019** Released the 3rd generation of locker lock, wireless online metal locker lock and cloud mobile key solution
- 2018** Released the 2nd generation of new lock management software 'E-smart Plus+'
Developed the world's first exclusive technology of synchronization between RF cards and smartphone
Released BLE mobile access locker lock
- 2015** Released the 2nd generation of intelligent RFID locker lock solution
Developed HID locker locks
- 2014** Launched advanced RFID locker locks with IoT security solution
- 2012** Launched the world's first wireless online RFID locker locks
- 2011** Launched RFID furniture locks
- 2010** Launched hotel RFID safes
- 2009** Launched the 1st generation of intelligent RFID locker lock solution
- 2008** Designated as export promising enterprise
- 2007** Founded R&D center and certificated as a venture and innovative business enterprise
Registered a factory
- 2006** Developed the world's first HF RFID locker locks
- 2005** Developed RFID modules
Certificated ISO 9001
- 2004** Developed access control system
- 2003** Established 'PASSTECH Co., Ltd.'



Why PASSTECH?

- 01**
 - RFID/Mobile technology R&D capability
 - Rich and long experienced engineers
 - Real-time customizing
- 02**
 - Own R&D (S/W, H/W)
 - Own factory and quality assurance
 - On-time delivery
- 03**
 - Proven quality in global market
 - Reliable reference
 - Competitive price



Standalone Offline Lock

e-Smart Classic Series

User friendly standalone offline locker lock which provides you the most suitable operation mode in accordance with your preference.



Locking Mechanism



Spring latch

Deadbolt

e-Smart Classic Series

One Touch RFID 




One Touch ZP100

Push Button RFID 




Push Button ZP200R

Standard Keypad 



Standard Keypad PT300BR

Metal Rubber Keypad 



Rubber Keypad PT600B

Feature

- Support various RFID credentials (13.56MHz ISO 14443 Type A/B - Mifare, DESFire, HID, etc.)
- Free mode (Shared use) / Assigned mode (Permanent use)
- Multi-User / Multi-Locker
- Time based operation function (Auto opening, Time limit, 3 Shift)
- Audit trail (Up to 150)
- Lock information check (Lock ID, battery status, User card info, firmware version etc.)
- Easy Lock setting and management by one Setup card
- Easy to fit and retrofit (Metal, wood and laminate lockers)
- Spring latch / Deadbolt
- Powered by 4 AA batteries (Approximately 3~5 years battery life)
- IP55 rated for moisture and dust protection
- Support E-smart Mobile ID (Free locker selection by mobile APP)
- Support E-smart Mobile Sync (Synchronize RF card and smartphone BLE)
- Support E-smart Mobile Key (Cloud server generated mobile key - Optional)
- Support E-smart Smart Code (Optional, Keypad model only)

Wireless Online Lock

e-Smart Ultra Series

The world's first wireless online locker lock which enables you to monitor and control it in real-time from the center.



e-Smart Ultra Series

One Touch Online



Ultra One Touch ZP100WR

Push Button Online



Ultra Push Button ZP200WR

Touch Screen Online



Ultra Touch Screen PT200TWR

Standard Keypad Online



Ultra Keypad PT300BWR

Metal Touch Screen Online



Ultra Touch Screen PT600TWR

Feature

- Real-time monitoring
- Online setup and maintenance
- Audit trail (Online - Unlimited, Card - Up to 150)
- Remote lock open/close
- Remote lock and card blocking
- Change password online
- Change user information online
- Support various RFID credentials (13.56MHz ISO 14443 Type A/B - Mifare, DESFire, HID, etc.)
- Free mode (Shared user) / Assigned mode (Permanent user) / Smart-Assigned mode
- Multi-User / Multi-Locker
- Time based operation function (Auto opening, Time limit, 3 Shift)
- Lock information check (Lock ID, battery status, user card info, firmware version etc.)
- Easy lock setting and management by one Setup Card
- Easy to fit and retrofit (Metal, wood and laminate lockers)
- Spring latch / Deadbolt
- Powered by 4 AA batteries (Approximately 3~5 years battery life)
- IP55 rated for moisture and dust protection
- Support E-smart Mobile ID (Free locker selection by mobile APP)
- Support E-smart Mobile Sync (Synchronize RF card and smartphone BLE)
- Support E-smart Mobile Key (Cloud server generated mobile key - Optional)
- Support E-smart Smart Code (Optional, Keypad model only)

Wireless Online Slim Lock

e-Smart Slim Series

e-Smart Slim is designed modernistically and ergonomically for a convenient use. It is the most advanced and innovative locker locks with various types of lock selections. Not only offering an RFID locks, but also offering keypad and e-display(e-paper) options. By using the locks, it will allow you efficient management with high security.



e-Display Option

- Locker number / User name
- Occupancy Status
- Battery Status
- Customized image available.

Locking Mechanism



e-Smart Slim Series

One Touch Online



One Touch SL100WR

Touch Screen Online



Touch Screen SL200TWR

Touch Screen Online



Touch Screen SL300TWR

E-Display Online



E-Display SL300EWR

Touch Screen Online



Touch Screen SL600TWR

E-Display Online



E-Display SL600EWR

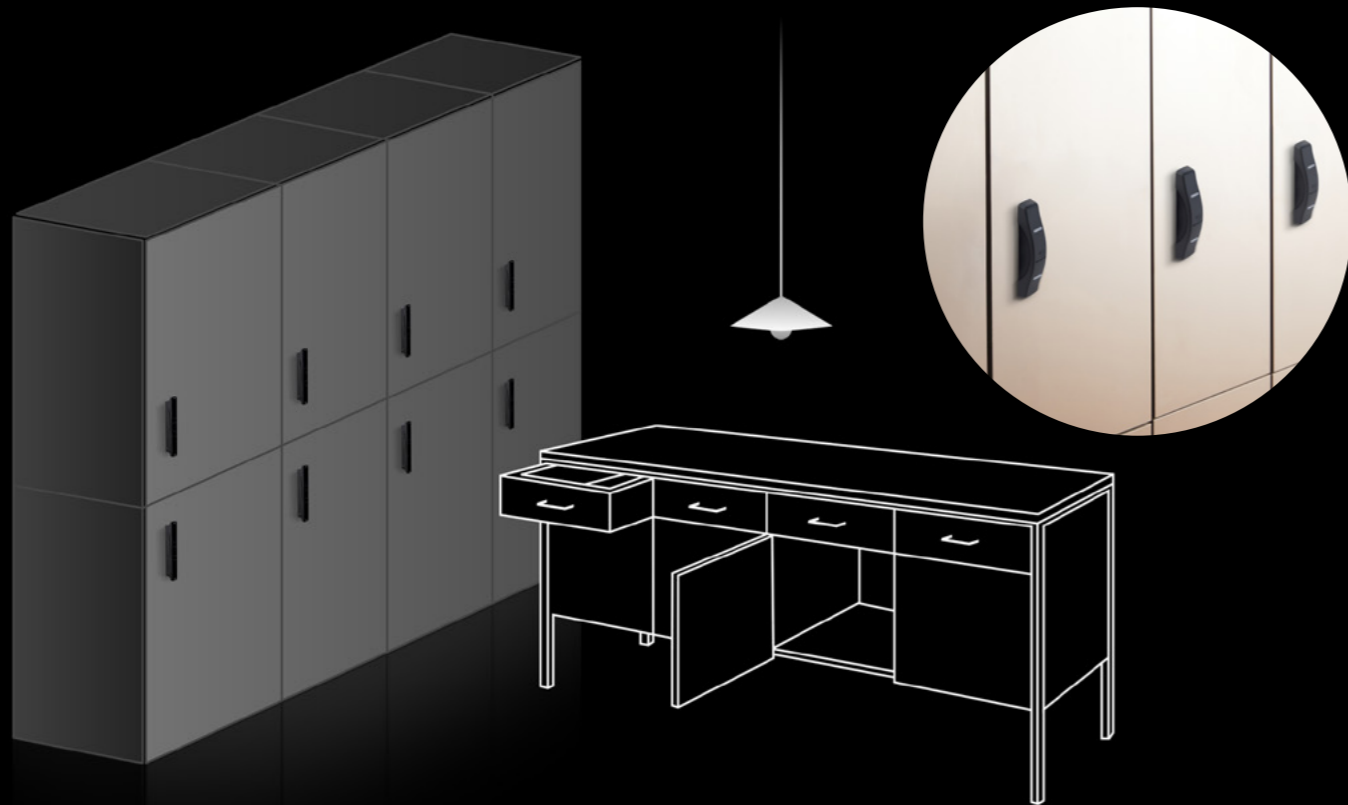
Feature

- Real-time monitoring
- Online setup and maintenance
- Audit trail (Online - Unlimited, Card - Up to 150)
- Remote lock open/close
- Remote lock and card blocking
- Change password online
- Change user information online
- Support various RFID credentials (13.56MHz ISO 14443 Type A/B - Mifare, DESFire, HID, etc.)
- Free mode (Shared user) / Assigned mode (Permanent user) / Smart-Assigned mode
- Multi-User / Multi-Locker
- Time based operation function (Auto opening, Time limit, 3 Shift)
- Lock information check (Lock ID, battery status, user card info, firmware version etc.)
- Easy lock setting and management by one Setup Card
- Easy to fit and retrofit (Metal, wood and laminate lockers)
- Spring latch / Deadbolt
- Powered by 4 AA batteries (Approximately 3~5 years battery life)
- Intuitive E-paper display
- Free to create the lock screens
- Support E-smart Mobile ID (Free locker selection by mobile APP)
- Support E-smart Mobile Sync (Synchronize RF card and smartphone BLE)
- Support E-smart Mobile Key (Cloud server generated mobile key - Optional)
- Support E-smart Smart Code (Optional, Keypad model only)

Wireless Online Furniture Lock

e-Smart Flex Series

e-Smart Flex Series is flexible for any usage in the office environment. e-Smart Flex offers different types of locks that can be used for a different door types which gives you the ability to install them based on your tastes and needs. You can install Flex locks any types of furniture such as classic hinged door, sliding door, or even the back of the drawer. It also offers Kiosk solution that allows you to use in the retail market or the mail delivery box.



e-Smart Flex Series

FX100-Battery Type



Front & Striker option

FX200 Side Lock-Wired Power



Front & Striker option

FX300-Furniture lock



FX400-Furniture lock



Feature

- Real-time monitoring
- Online setup and maintenance
- Audit trail (Online - Unlimited, Card - Up to 150)
- Remote lock open/close
- Remote lock and card blocking
- Change password online
- Change user information online
- Support various RFID credentials (13.56MHz ISO 14443 Type A/B - Mifare, DESFire, HID, etc.)
- Free mode (Shared user) / Assigned mode (Permanent user) / Smart-Assigned mode
- Multi-User / Multi-Locker
- Time based operation function (Auto opening, Time limit, 3 Shift)
- Lock information check (Lock ID, battery status, user card info, firmware version etc.)
- Easy lock setting and management by one Setup Card
- Easy to fit and retrofit (Metal, wood and laminate lockers)
- Spring latch / Deadbolt
- Powered by 4 AA batteries (Approximately 3~5 years battery life)
- Intuitive E-paper display
- Free to create the lock screens
- Support E-smart Mobile ID (Free locker selection by mobile APP)
- Support E-smart Mobile Sync (Synchronize RF card and smartphone BLE)
- Support E-smart Mobile Key (Cloud server generated mobile key - Optional)
- Support E-smart Smart Code (Optional, Keypad model only)
- Powered by 3V CR123A battery (FX100) / 5V wired DC cable (FX200)
- Kiosk available
- USB device charging / LED Lighting available (FX200 Only)

Kiosk System Overview

Optional

For Mobile: on Lock
For RFID: on Kiosk



For Mobile & PIN: on Lock
For RFID: on Kiosk



AP300
(Zigbee Access Point)



TCP/IP

TCP/IP

Cloud Server

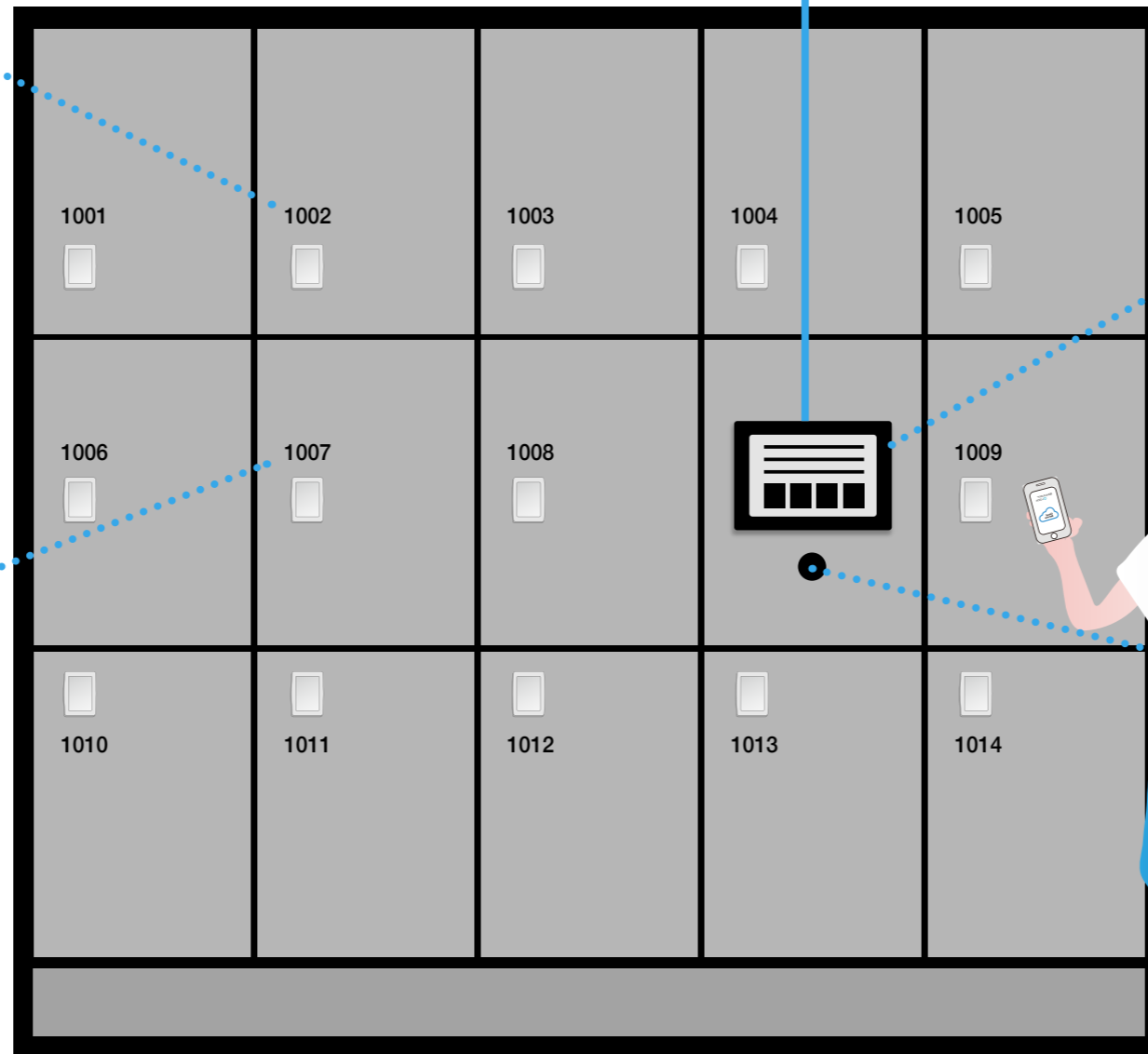


- Generate Smartcode & Mobile key
- Send Notification message to users



On-Premise Server & Client

- Generate Smartcode and Mobile key
- Online lock status monitoring
- Remote lock control
- Database management



10 inch Touch display

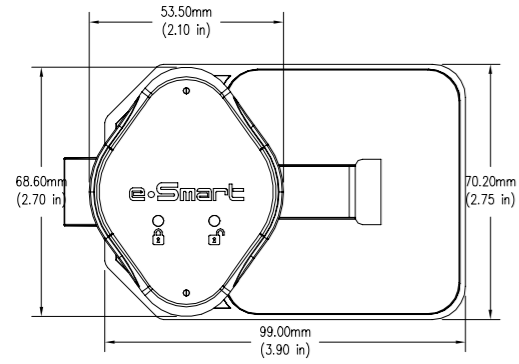
10 inch Touch display (ER100/ER200)

- Mifare classic/Desfire card: Read/write
- Mifare Ultra light/Plus: CSN read only
- 15693 iCode card: Read/write
- QR Reader

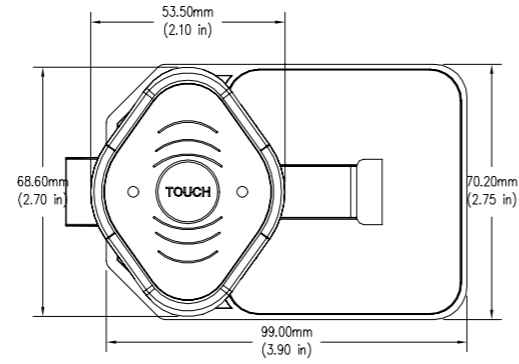
(ER100+RFID Module)

- HID iClass card: CSN read only
- 125KHz card: CSN read only

ZP Series

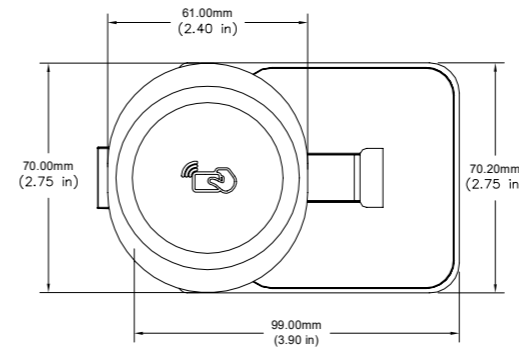


ZP100/ZP100WR

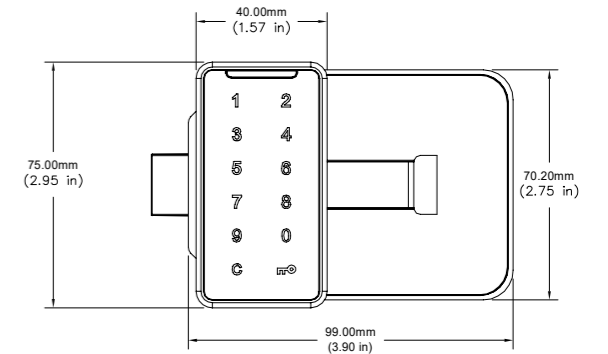


ZP200R/ZP200WR

SL Series

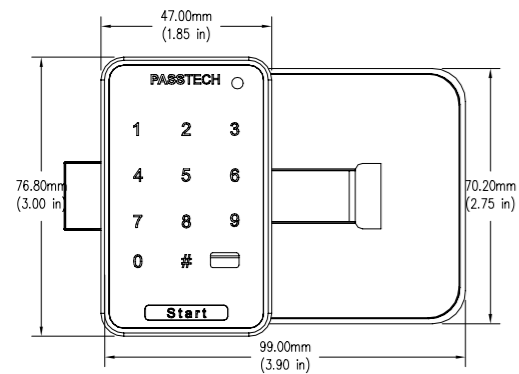


SL100WR

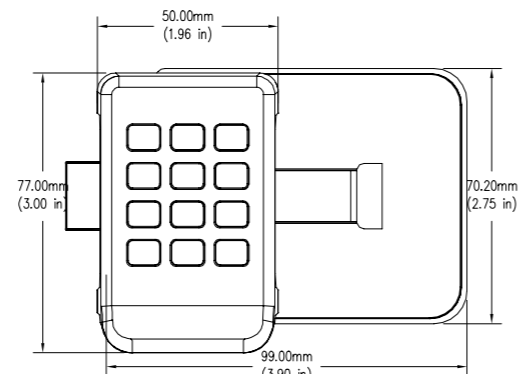


SL200TWR

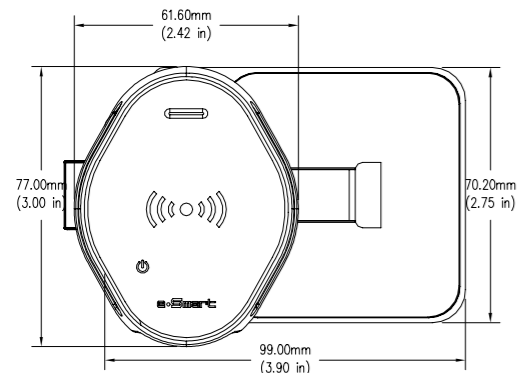
PT Series



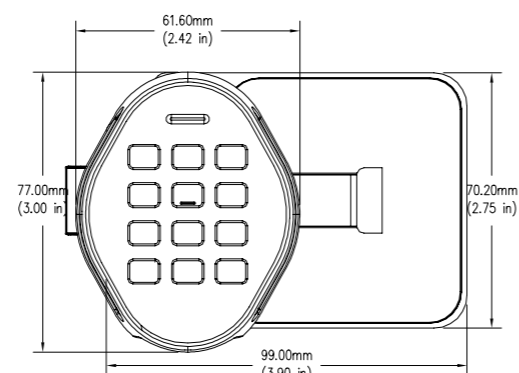
PT200TWR



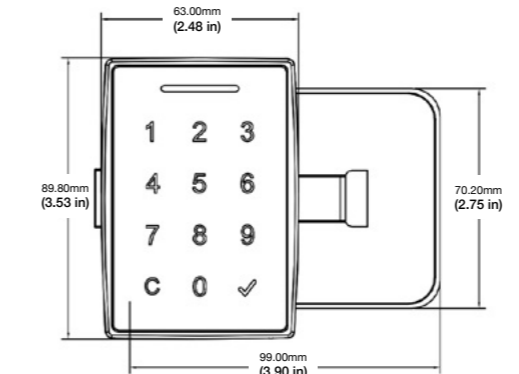
PT300BR/BWR



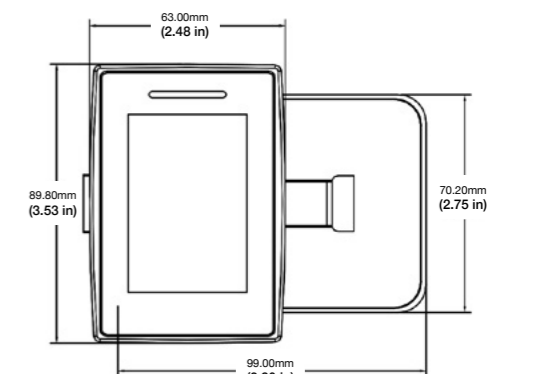
PT600TWR



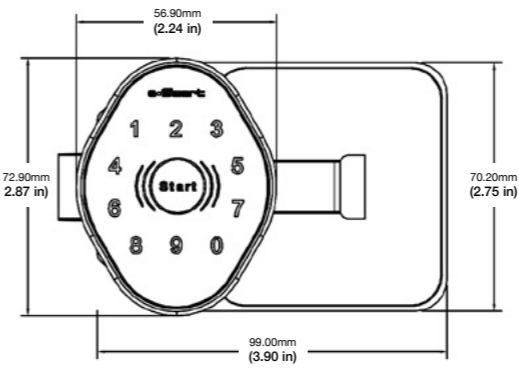
PT600B



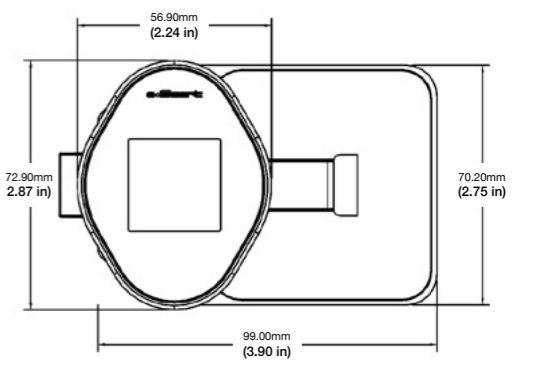
SL300TWR



SL300EWR

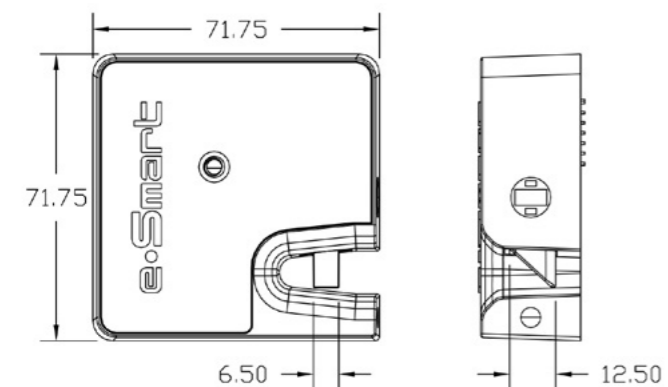


SL600TWR

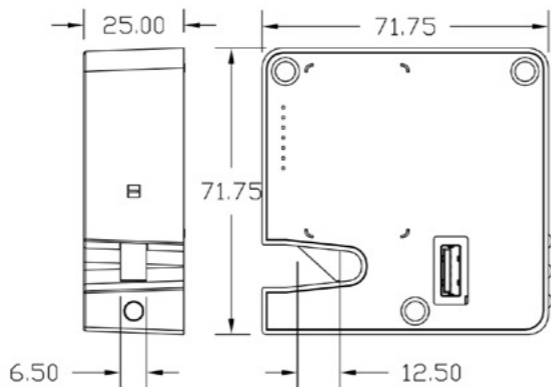


SL600EWR

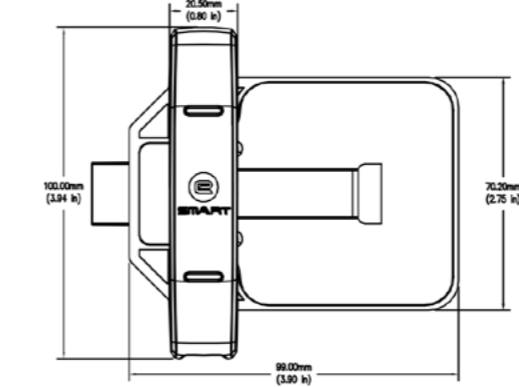
FX Series



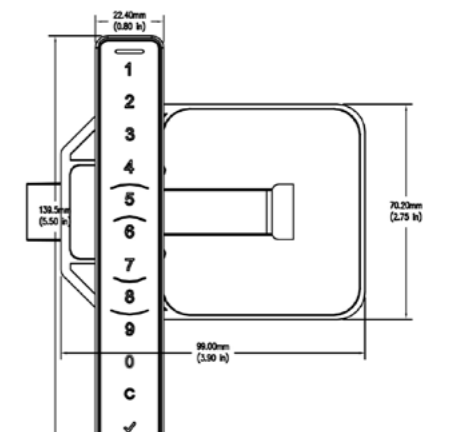
FX100



FX200



FX300



FX400

System Components & Peripheral Device



DE-620
(RFID card encoder)



AP300
(Wireless Access Point)



SL300A
(Smart Door Lock)



RFID
Credentials



Emergency
Battery Pack I



Emergency Battery
Pack II (EP100)




iTOUCH POP/PopX
(Info terminal)




Hotel Lock System
(www.smartlock.com)


DE620 RFID Reader

	ITEM	SPECIFICATION
	RF card protocol	ISO014443 A/B, Mifare, FeliCa, ISO-18092, ISO-15693
	PC interface	USB 2.0
	Input power	DC 5V, 200mA
	Operation temperature	0°C~ 50°C


AP300 Wireless access point

	ITEM	SPECIFICATION
	Communication with Server	TCP/IP, 2.4Ghz Wireless(ONLINE LOCK COMM)
	Material	Polycarbonate
	Security	AES128
	Indicator	LED
	Effective range	About 50 meters in open area (without barrier)
	Communication Frequency with locks	2.4GHz IEEE 802.15.4 Compliant RF Transceiver 40-50M (Between Lock and AP)
	Dimension	101.60 x 101.60 x 27.50 (mm)
	Input Power	DC 12V Adapter, POE (IEEE802.3af)
	Operation temperature	0°C ~ 50°C (Operating), -40°C~85°C(Storage)
	Certificate	CE, FCC




SL300A Smart Door Lock

	ITEM	SPECIFICATION
	Power	DC 4.5V
	Credential	RFID card, Mobile Key, Smartcode
	Communication Protocol	1. RFID Card: ISO014443 A/B, Mifare, Desfire 2. Mobile Access: BLE 4.0


System cards

	ITEM	SPECIFICATION
	RF card protocol	ISO014443 A/B, Mifare, FeliCa, ISO-18092, ISO-15693
	Operation temperature	0°C~ 50°C


Credentials

Item	Standard Wristbands	RF Cards	 Upon Demand
Picture			
Material	Silicone	PVC	
Dimension	L 28mm x W 18mm x T 2mm	L 85.6mm x W 54mm x T 0.86mm	
Color	Blue, Violet, Red	As on image	


Emergency Battery Pack

	ITEM	Emergency Pack	EP100
	Power	AA Battery X 4, 6V	
	Switch	On / Off	On / Off Reset Button
	Dimension	65x68x20mm	42x37x145mm
	Master Key Function	X	O

Info Terminal & Wall Reader

	ITEM	SPECIFICATION
	RF card protocol	Mifare, ISO 14443 A/B, ISO 18092 (NFC), Mifare, DESFire, FeliCa
	Frequency	13.56 MHz
	LCD	4.3" TFT wide(800X480) - iTouchpop 3" TFT wide(800X480) - iTouchpopX
	Touch	Resistive touch
	Dimension	185*108*21mm - iTouchpop 163*65*35mm - iTouchpopX
	Input power	DC9~24V (9V/2A)
	Operation temperature	-10 ~ 60°C

Info Terminal & Wall Reader

	ITEM	SPECIFICATION
	Power	DC12V
	Credential	RFID card, Mobile Key
	Communication Protocol	1. RFID Card: ISO014443 A/B, Mifare, Desfire 2. Mobile Access: BLE 4.0 3. Info Terminal Display(Locker No., Valid Date / Time)

e-Smart Software

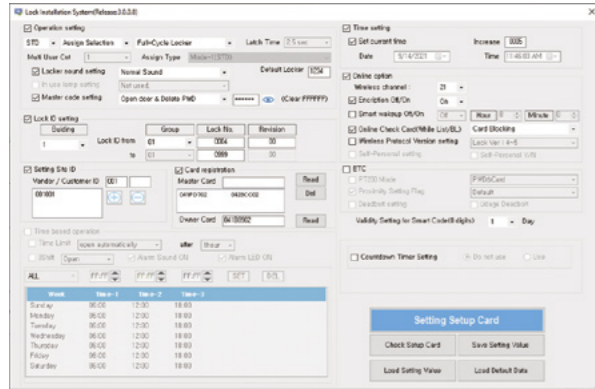
► e-Smart LMS (For Distributor)

Lock Management Software

- LKS (Lock Key Management Software)
- LIS (Lock Installation Software)



- Generate security key card for customers
- Generate system cards
- Issue Setup Card
- Set lock operation mode
- Program various operation parameters
- Make blank cards

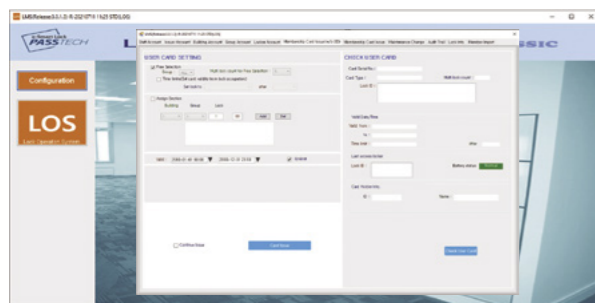


► e-Smart LOS (For Customer - Offline)

Offline Lock Operation Software

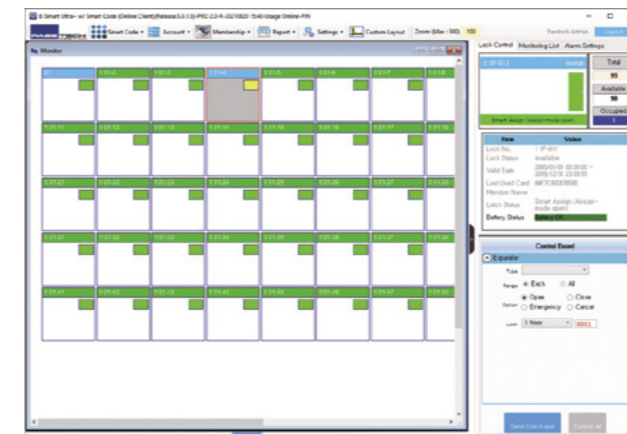
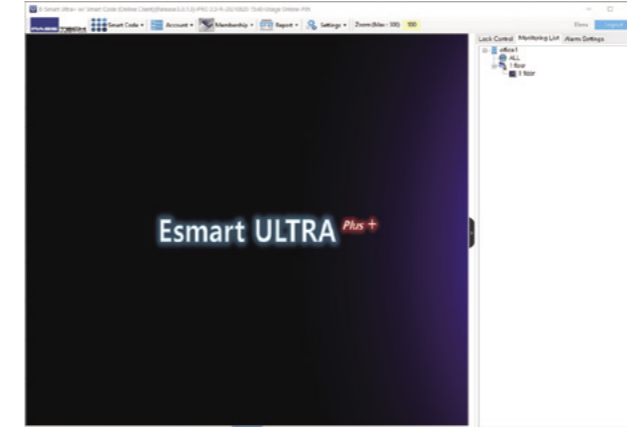


- Account management
- User Card issuance
- Audit trail and lock info check
- Lock maintenance
- Generating report
- Powerful database management



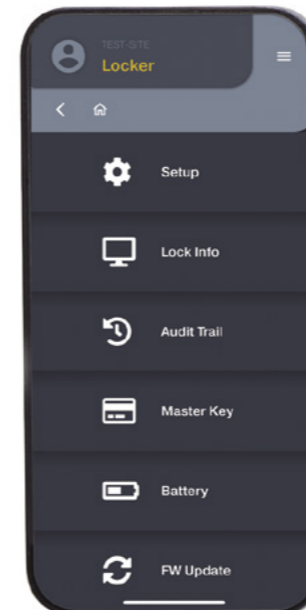
► e-Smart Ultra Plus+ (For Customer- Online)

Online Lock Operation Software



- All functions in e-Smart LOS
- Real-time monitoring
- Remote lock open/close. Block/unblock
- Online user information change (RF cards, Password)
- Online audit trail and lock info check
- Online maintenance
- Connect multi-client software (PC)
- Customize monitoring layout
- Powerful database management
- Mobile Key & Smartcode Issue
- 3rd party interface (Shared DB)

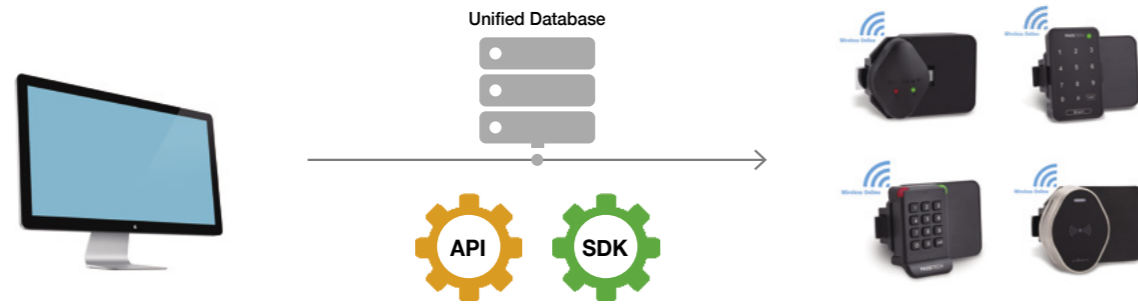
► e-Smart MIS (Lock Management APP)



e-Smart locks can be programmed and managed efficiently by smartphone via Passtech management APP.

- Lock setting
- Maintenance
- Firmware download
- Audit trail
- Lock information check
- Battery status
- Emergency lock open (Master card)

e-Smart SDK (Software Development Kit)



- Third-party software companies and end-users are allowed to operate and manage E-smart locker locks by utilizing E-smart locking solution API (Application programming interface) to control access within their own applications.
- Customer can create card issuance and management system for applications.

SDK Packages	Provided by PASSTECH	Developed by Customer
Standalone Offline System (e-Smart Classic)	<ul style="list-style-type: none"> • DLL for card issuance • API documents for card issuance • API sample program and source code for card issuance • LMS software for making key card and programming locks (Customer must use LMS software as is) 	<ul style="list-style-type: none"> • Offline Lock operation software (i.e. e-Smart LOS) needs to be developed by customer.
Wireless Online System (e-Smart Ultra)	<ul style="list-style-type: none"> • DLL for card issuance • API documents for card issuance • API sample program and source code for card issuance • Use LMS software for making key card and programming locks (Customer must use LMS software as is) • AP interface document for Access point & Server • AP interface sample program • AP interface sample source 	<ul style="list-style-type: none"> • Online Lock Operation software (i.e. e-Smart Ultra Plus) needs to be developed by customer.
RESTful Server Interface (Wireless Online Server Interface)	<ul style="list-style-type: none"> • RESTful API protocol documents • RESTful API interface server program • RFID card issuance interface program for supporting multi-client PC software • e-Smart Ultra Plus Server & client software as is (Customer must use it as is) • LMS software for making key card and programming locks (Customer must use it as is) 	<ul style="list-style-type: none"> • Customers need to develop the Lock operation program in their own software platform by using RESTful API Interface Program provided by PASSTECH.
Mobile User App For Anroid /iOS	<ul style="list-style-type: none"> • SDK for Android /iOS • Sample project(program source) for Anroid /iOS 	<ul style="list-style-type: none"> • Mobile App for Android /iOS needs to be developed by customer.

Function Comparison Table

	LMS	E-smart LOS	E-smart Ultra Plus +
Security Key Card generation	○		
System Cards generation	○		
Lock Programming	○		
Card Initialization	○		
User card programming		○	○
Smart Code & Mobile Key Issuance		○	○
Audit trail (Card)		○	○
Audit trail (Online)			○
Maintenance (Card) : Time update, Change of Master Cards, Time operation, etc.		○	○
Maintenance (Online) : Time update, Change of Master Cards, Time operation, etc.			○
Lock info collection		○	○
Lock status monitoring			○
Remote lock controlling			○
Remote card or lock blocking			○
Remote user changing			○
Remote password changing			○
Layout customizing			○
Multi-Client			○
3rd Party Interface			○

System Requirements

	LMS	E-smart LOS	E-smart Ultra Plus +
OS	Window 10		
RAM	16 GB or higher		16GB or higher
Admin privilege	No administrator right requirement		

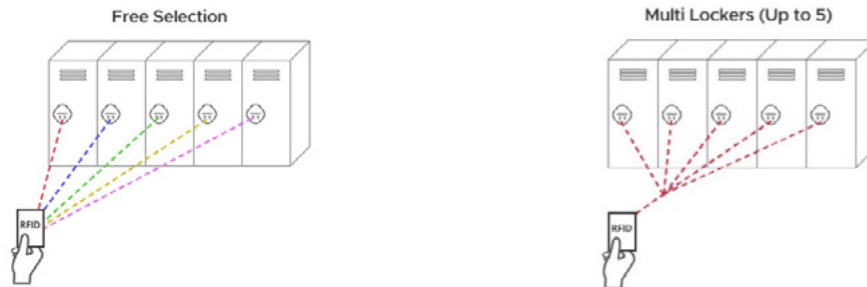
Standalone Offline



Offline Lock Operation Software

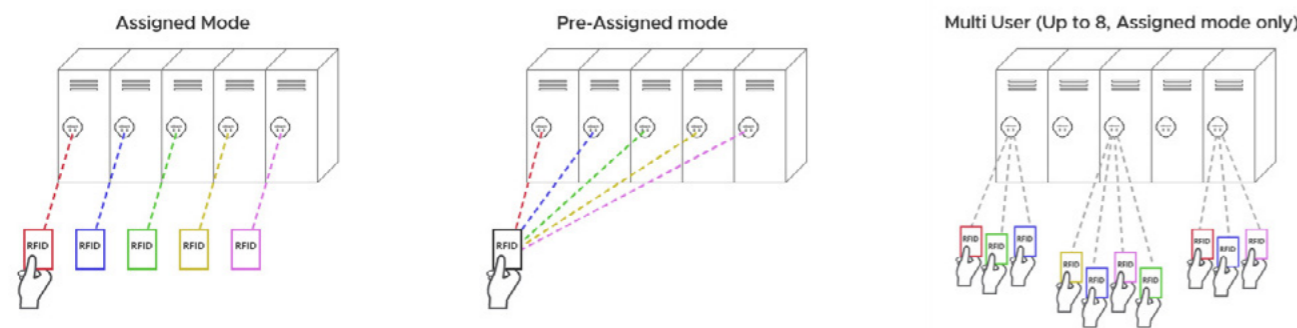
Free Selection mode (Shared use)

- User can select any empty locker to use as they wish
- Programmable to make LED lamp blinking to represent locker is in use (In use lamp)
- Programmable to use multiple lockers (up to 5) with one User card (Multi-lock)
- Programmable for Time based operation



Assigned mode (Permanent Use)

- User can only use a certain assigned locker
- User card can be assigned to a lock in advance
- User can select any empty locker at first to assigned the User card to the lock
- Programmable to use multiple lockers (up to 5) with one User card. (Multi-lock)
- Programmable to use multiple User cards (up to 30) to one locker (Multi-user)

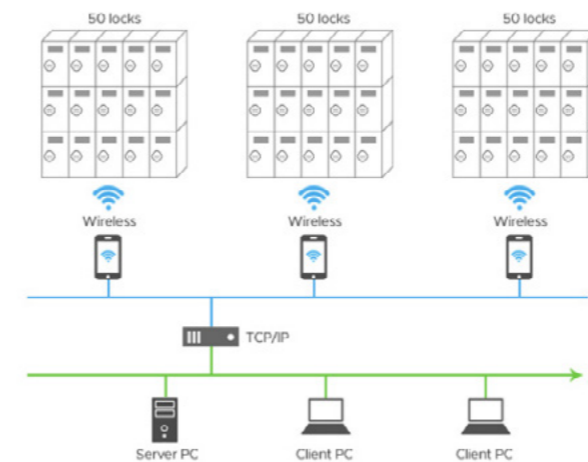


Wireless Online



e-Smart Ultra series are representatives of wireless online solution.

With the help of the powerful database based lock operation software (E-smart Ultra Plus+), you can monitor and control locks remotely in real-time. The solution provides you full lock control and increase the efficient of your facility administration.



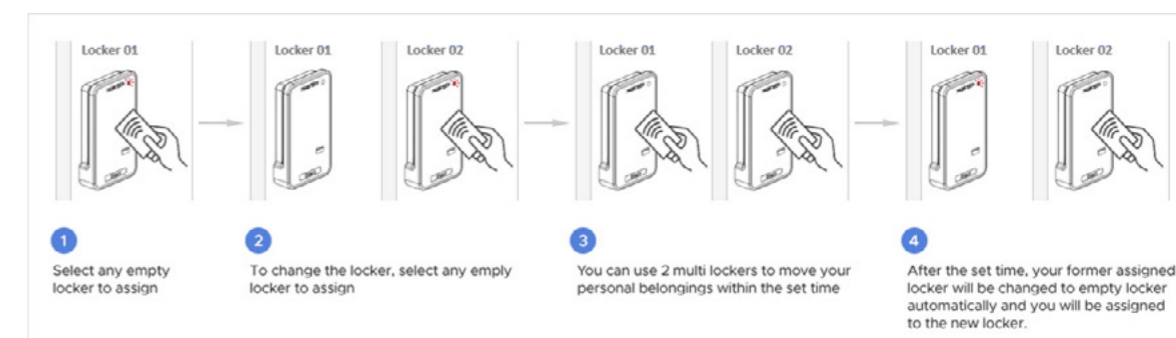
E-smart Ultra Plus+ offers a powerful database management and convenient central control functions such as:

- All functions in E-smart LOS
- Powerful database management
- Real-time monitoring
- Remote lock open/close, block/unblock
- Online user information change
- Online audit trail and lock info check
- Online maintenance
- Connect multi-client software
- Customize monitoring layout
- 3rd party interface

Operation Mode - Free/Assigned mode default support

Smart Assign mode

- User can select any empty locker and the user is assigned to the chosen locker.
- Without the help of administrator, user can freely change the assigned locker to any empty locker.
- Programmable to make LED lamp blinked to represent locker in use.
- Programmable to set specific time to release the assigned locker to empty locker after the changing the locker.



Mobile Access

► Mobile ID

Simple mobile access via Passtech Mobile APP without RFID card

e-Smart Mobile ID enables you to choose and operate any empty lock as you wish in Free Selection mode without any RFID card or other credentials.

The enhanced security algorithm provides more advanced and efficient approach towards managing the locks at various kinds of venues, such as hotels, resorts, fitness centers, schools, universities, hospitals, clinics, government entities, etc..

Moreover, E-smart Mobile ID can be easily programmed to work in Multi-lock function which enables you to use locks up to 5.

► Mobile Sync

BLE mobile access technology based on synchronization between RFID card and smartphone.

E-smart Mobile Sync is the world's first mobile access solution based on key synchronization between RFID card and smartphone.

The solution is very flexible and adaptable to various types of configuration.

Moreover, E-smart Mobile Sync can be easily programmed to work in assigned mode with Multi-user and Multi-lock functions.

In addition to that, multi-functionality and accessibility via various credentials makes E-smart Mobile Sync the best solution to meet even the most demanding operation requirements.

► Mobile Key

Mobile key generated via the Cloud server. Access to E-smart locks anywhere in the world.

E-smart Mobile Key is a secure, convenient and instant way of mobile access to E-smart locks.

Encrypted digital key are generated via E-smart Cloud Server, and access to a specific locker lock or door lock which is granted through the internet from anywhere in the world.

All the locks are operating completely offline without the risk of malfunction.

Users can use their mobile keys only for a specific time period, and access privilege will be automatically expired when the granted time period is over.

Experience convenient access to your property by Mobile key generated via the Cloud.

Benefits

For User

- Unique user experience
 - Provide convenience by using a smartphone
- Easy self registration via mobile app
 - Bypass reception / No waiting in queue
- No any other credentials needed
 - No carrying RFID card



For Facility Administration

- Better operational efficiency
 - No rush for registration
- In reception / operational cost saving
 - Improve customer satisfaction
- Increased customer loyalty
 - Increasing of client membership and revenue

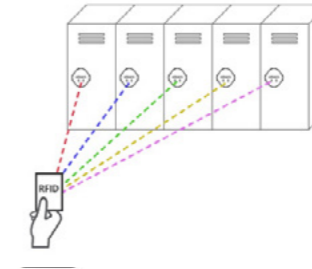


Mobile ID

1. Download 'Passtech e-Smart Lock' APP and run it.



2. Wake up any empty locker to occupy.



3. Select the lock number from the list on the app.



Mobile Sync

1. Get a User Card



2. Download 'Passtech E-Smart Lock' APP and run it.



3. Scan the User Card on a lock and put '99 + key(start)' button to register.



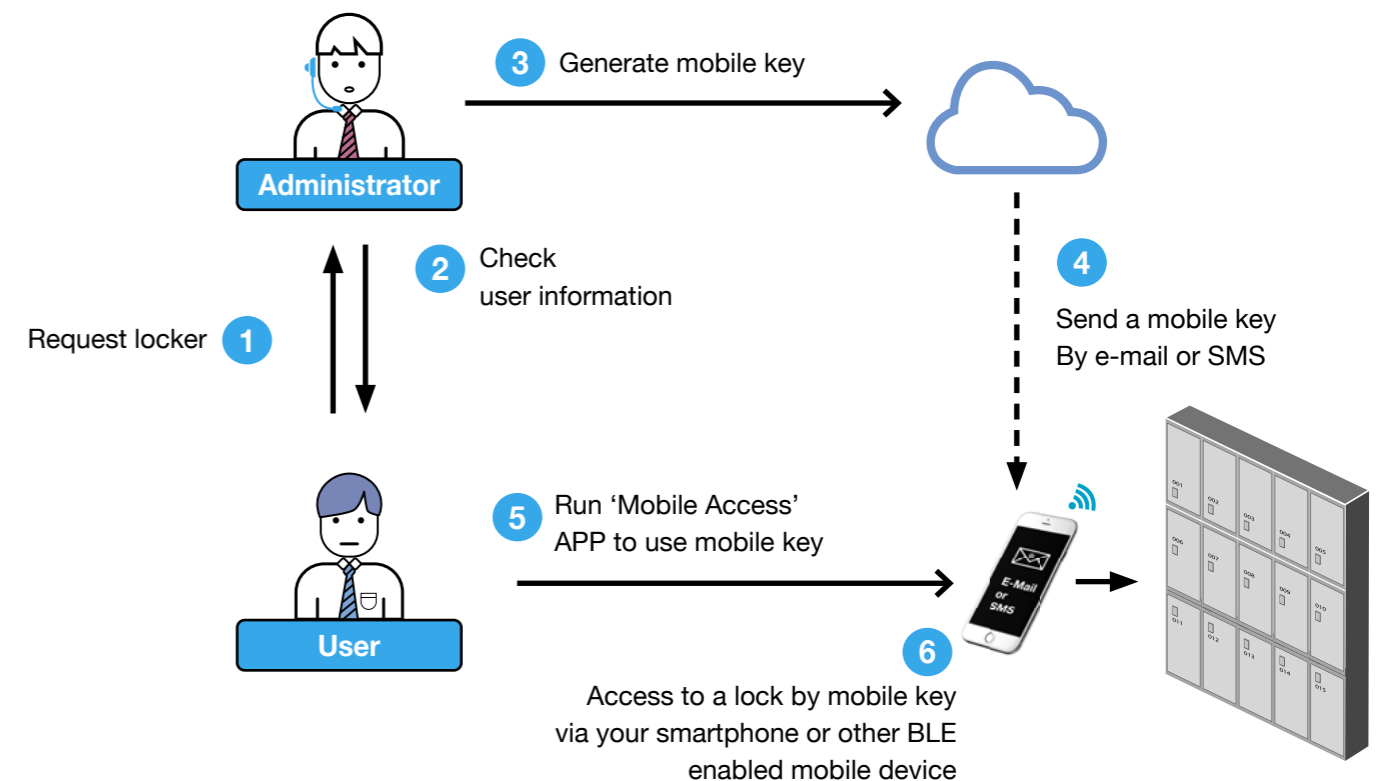
4. Touch 'Register' Button on the APP.



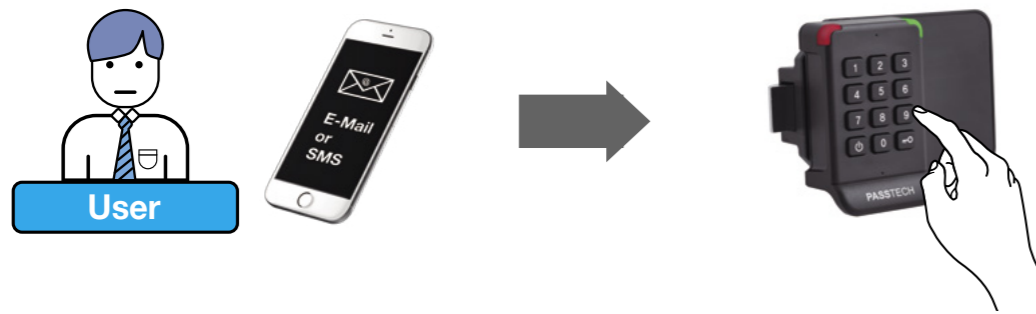
5. You can use both User Card and smartphone after registration.



Mobile Key



Smart Code(Time Sensitive Code)

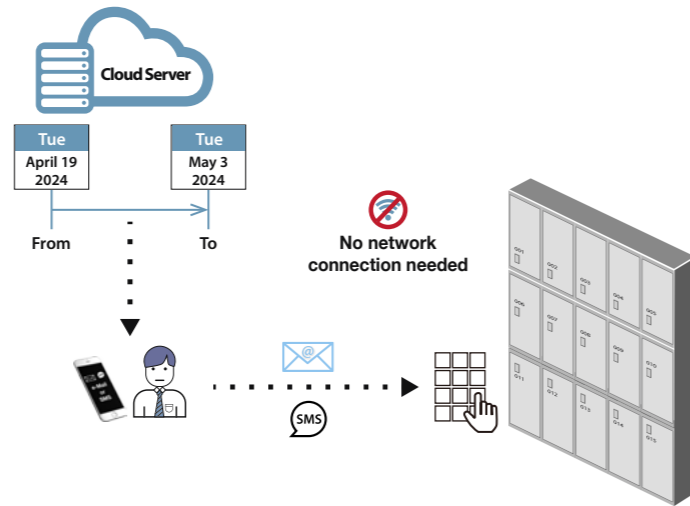


Control Time Sensitive Smart Code from wherever you are

- ✓ Very easy and convenient for you to schedule a smart code for each lock via your smartphone or computer
- ✓ Simply login the cloud server and select your lock to generate the smart code and mobile key

Experience convenient access to your property by Smart code generated via the Cloud anywhere in the world

- ✓ 6-10 digit PIN code by e-mail or SMS
- ✓ Work offline, no network connection needed
- ✓ Operate a lock anytime, anywhere
- ✓ No contact and Bypass reception for key Issuance
- ✓ No user card needed – cost save
- ✓ No risk of losing cards
- ✓ Fast, easy, and secure



Convenience of Smart Code for Group of Users



CSN (Chip Serial Number) Mode



Passtech products are designed to work with the international standard credentials including not only IOS 14443 Mifare/Desfire card, but also compatible with ISO 155693 iCode & HID iClass card. In order to support those credentials in our system, we have CSN operation mode in which the lock only reads RF chip serial number of the card, but does not write any data to the cards.

Supporting RFID credentials

- ISO 14443A/B, Mifare classic, Desfire card and etc.
- ISO 15693-2/ISO15693-3
- iClass Tag or PicoPass Tag compatible card
- Card reader: OMNIKEY 5022 or 5027

Supporting Operation Modes

Functions	CSN offline mode	CSN online mode
Operation modes	Free/Assigned	Free/Assigned/Smart Assigned
Reads CSN of card	O	O
Time Based Operation	O	O
Register user by master card	O	O
Audit trail	By Card	By Card/Online
Control the locker user online (Register users on the DB)	X	O
Limit Multi locker use	X	O
Remote lock controlling (Open/close)	X	O
Real-time lock status monitoring	X	O
Remote User/Password change	X	O
Online Maintenance	X	O
Remote Lock blocking	X	O



Real Time Monitoring
 • Checking your locks in real-time. You can check Battery status, Lock occupancy, Alarm, Lock event history, etc. easily without any delay.



Lock Blocking
 • You can block any lock from Ultra Client. Blocked lock doesn't accept any User Card unless you unblock it on program.



Online Audit Trail
 • You can collect Audit Trail of each lock without using Audit Trail Cards.



Remote Card Blocking
 • You can block cards online for your best security. • Cards are blocked against being used by people



Remote Lock Open & Close
 • If you want to open a specific lock or if you want to make a specific lock stay closed, simply manage it through one single mouse click from Ultra Client software.



Online Setup & Maintenance
 • Do you still bring Setup & Maintenance Card and scan them on locks one by one for setting?
 • New Ultra Client sets various functions to all locks at once with one mouse click



White list online Database
 • You can use any RF card without issuing user card from the program.
 • By inputting the CSN in the database, you can manage and control the users in CSN mode.

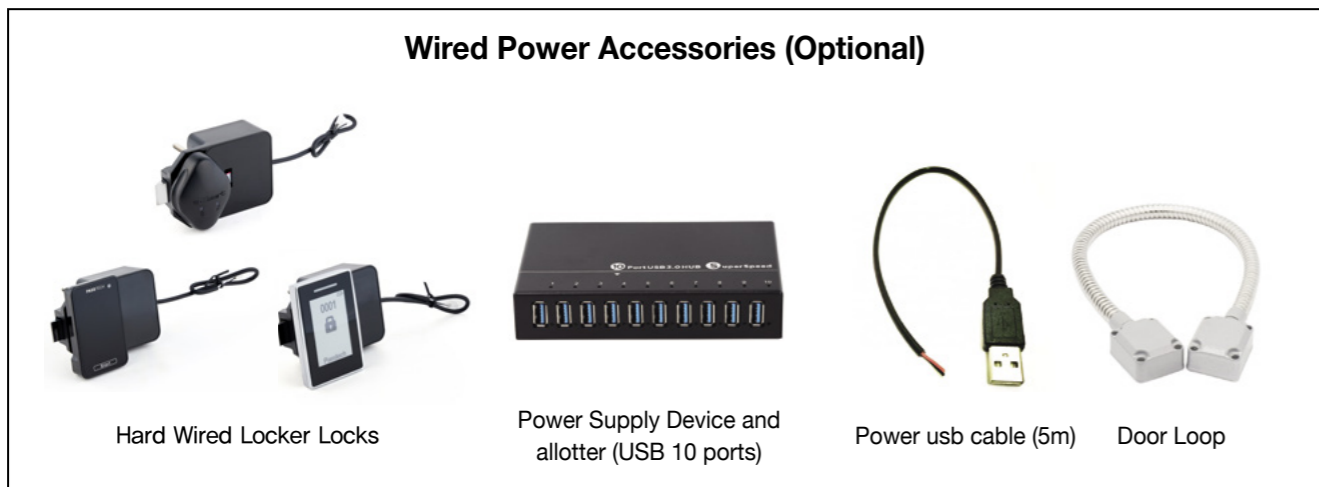
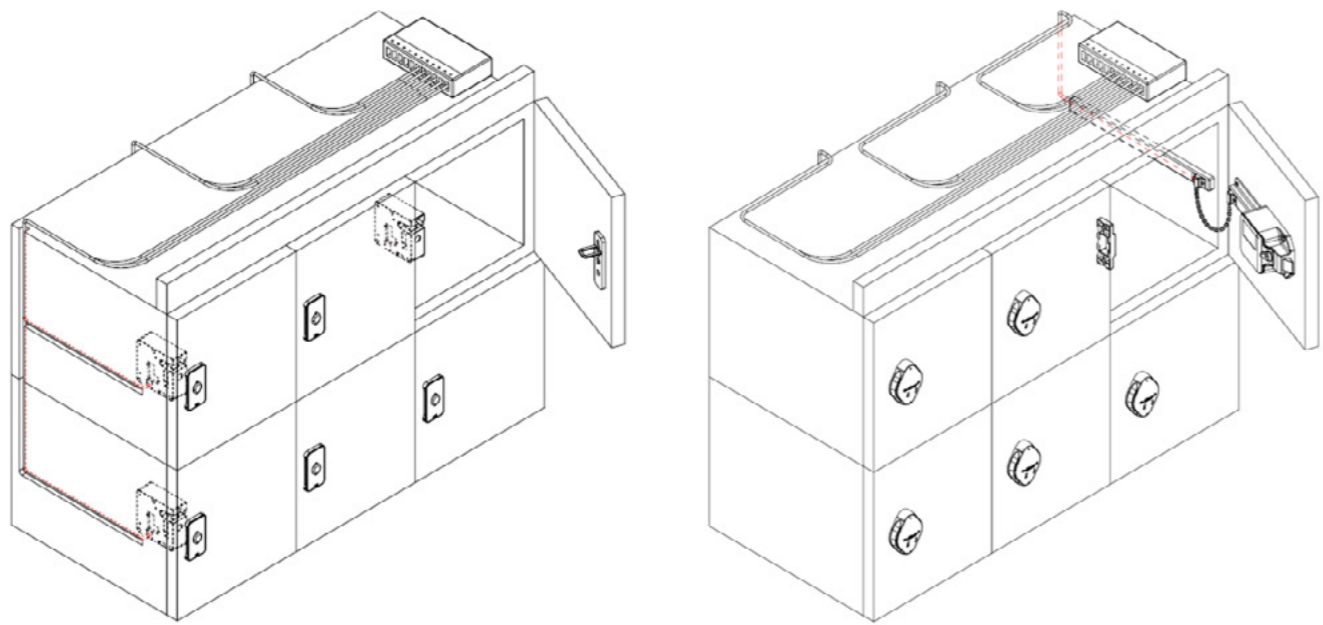


Customize your Monitoring Layout
 • No more tedious rectangles.
 • Your own customized layout of lockers displays on Lock monitoring.
 • Arrange the lockers in New Ultra Client just like a real layout, and manage it more easily and efficiently.



Time based operation
 • Doors open automatically at programmed time.
 • Set a time limit on user access.

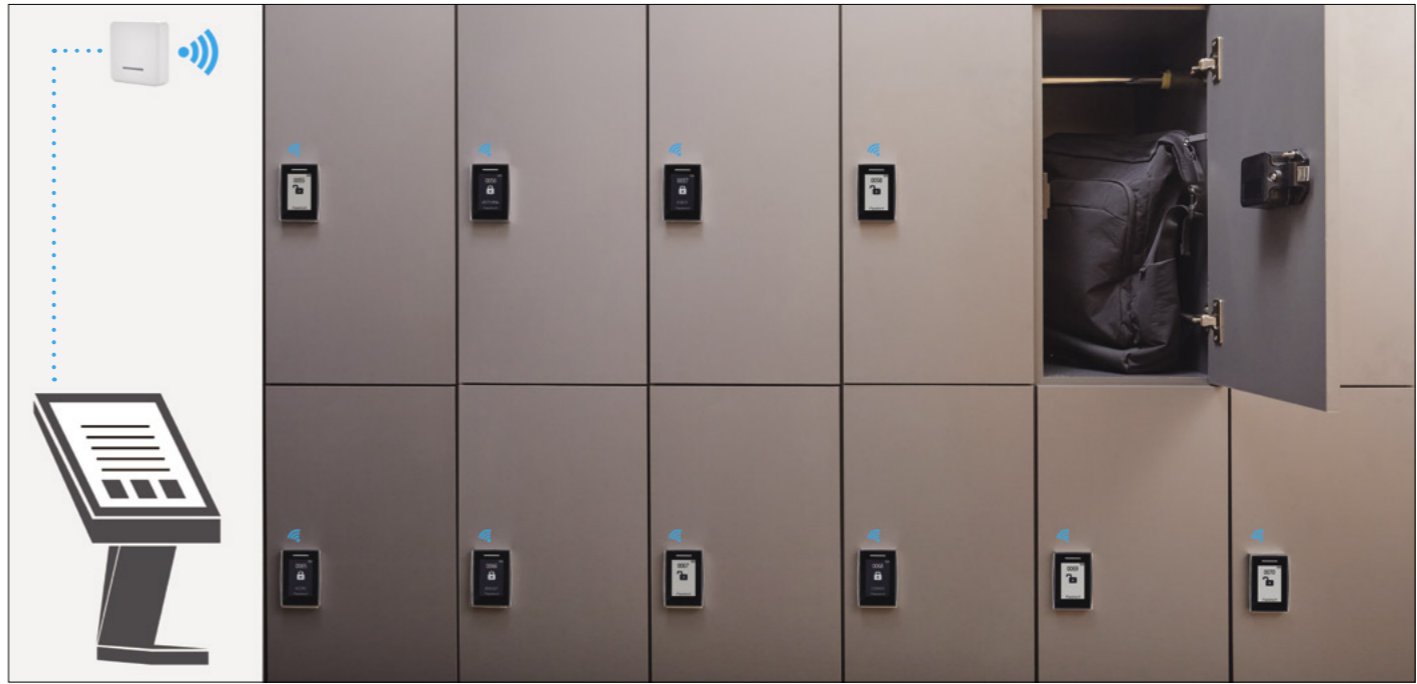
Wired Power Solution



- e-Smart Wired power option will offer you many advantages you are looking for.**
- More reliable power supply. You don't have to worry about the low battery level or replacing the batteries.
 - Simple and neat finish. With our solution, you don't have to worry about the wires being seen. It will cover them perfectly.
 - Ideal for saving the environment. Since you don't use the alkaline batteries, you are not polluting the world.

As it is well-known, alkaline batteries will pollute not only the ground and water, but also the air which can lead to problems to crops and animals including us. So by using this option, you are saving the earth.

Kiosk Solution



Type	Payment / check-in	User Authentication	Touch screen UI design	User credentials	PASSTECH SDK Solutions for 3rd party	How it works
3rd Party Kiosk Lock Solution				1) Short-term one time use : PIN(Smartcode) 2) Long-term multiple use: RFID, Mobile key, PIN (Smartcode)	1) RFID card SDK : - Issue the user card - Read out the locker occupancy status to control the exit gates 2) Mobile SDK : - API protocol between locks and mobile user app - Control the locks by mobile app 3) RESTful API : - Monitor/control/track the locks by online - Generate Mobile key and Time-sensitive PIN by online	
e-Smart Kiosk Lock Solution (Employee Self-reservation)	Not required	Not required (PIN-use) or By employee RFID card	By Passtech	1) Short-term one time use : PIN 2) Long-term multiple use: RFID, Mobile key, PIN (Smartcode)	1) Mobile SDK : Communication between locks and 3rd party mobile user app 2) RFID card map : Read out the locker occupancy status from the RFID card to control the exit gates	
Non-RFID Kiosk Lock Solution				Touch to wake up locks to open	AP & 3rd party Server interface protocol (To control the locks)	

Portfolio of e-Smart Locker Locks

e-SMART LOCK

E-Smart Classic
- Standalone Offline locks

E-Smart Slim
- Slim Designed online locks

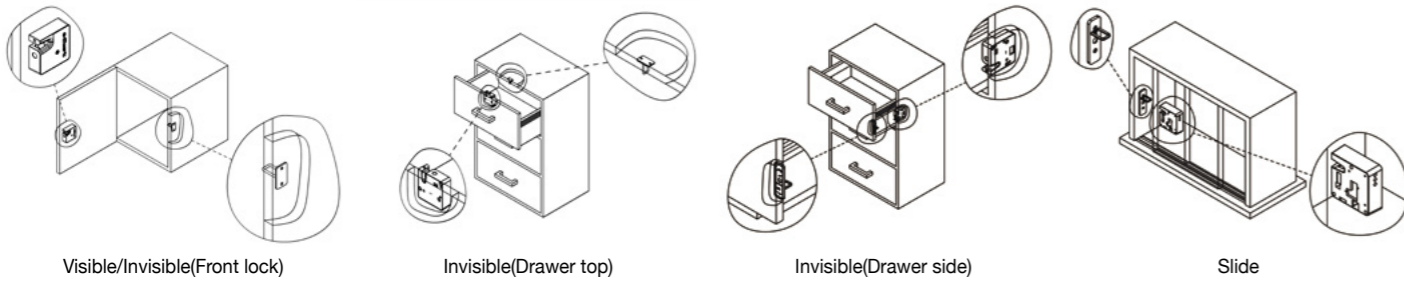
Smart Office Solutions

E-Smart Ultra - Wireless Online locks

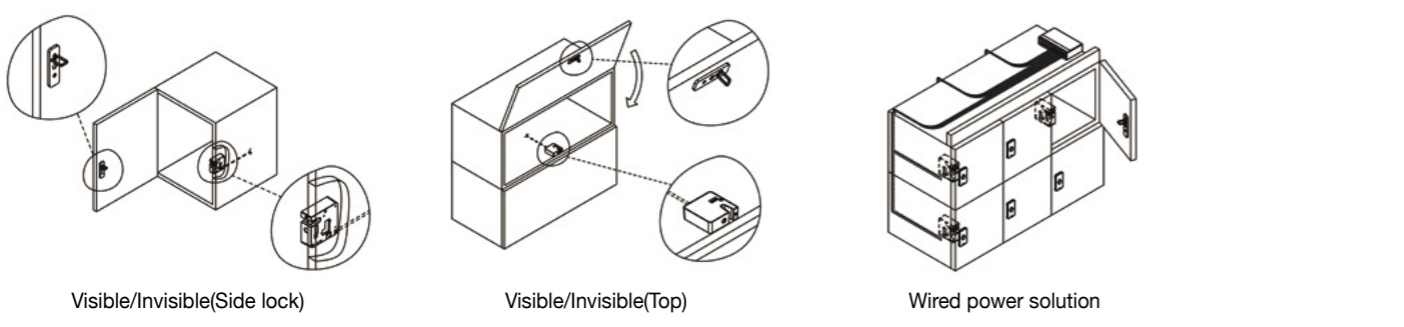
E-Smart Flex - Furniture locks

Supports any types of Furniture

FX100 (Battery type)



FX200 (Wired power DC5V type)



Applications



Workspace



Education



Fitness



Hospitality



Theme Parks



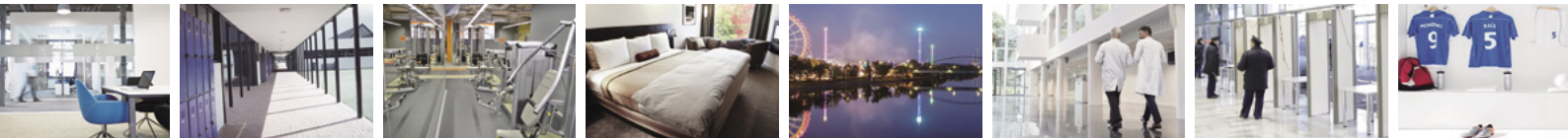
Healthcare



Government



Pro Sports



e-Smart

Seamless Unlock Innovation



Passtech Co., Ltd.

Address : B-402, 215 Galmachi-ro, Jungwon-gu, Seongnam-si, Gyeonggi-do, Rep. of Korea

Tel : +82 31-743-7277 / Fax : +82 31-743-7276

E-mail : passtech@esmartlock.com

Web : www.esmartlock.com (Locker Lock Solutions)

www.smartelock.com (Hotel Lock Solutions)